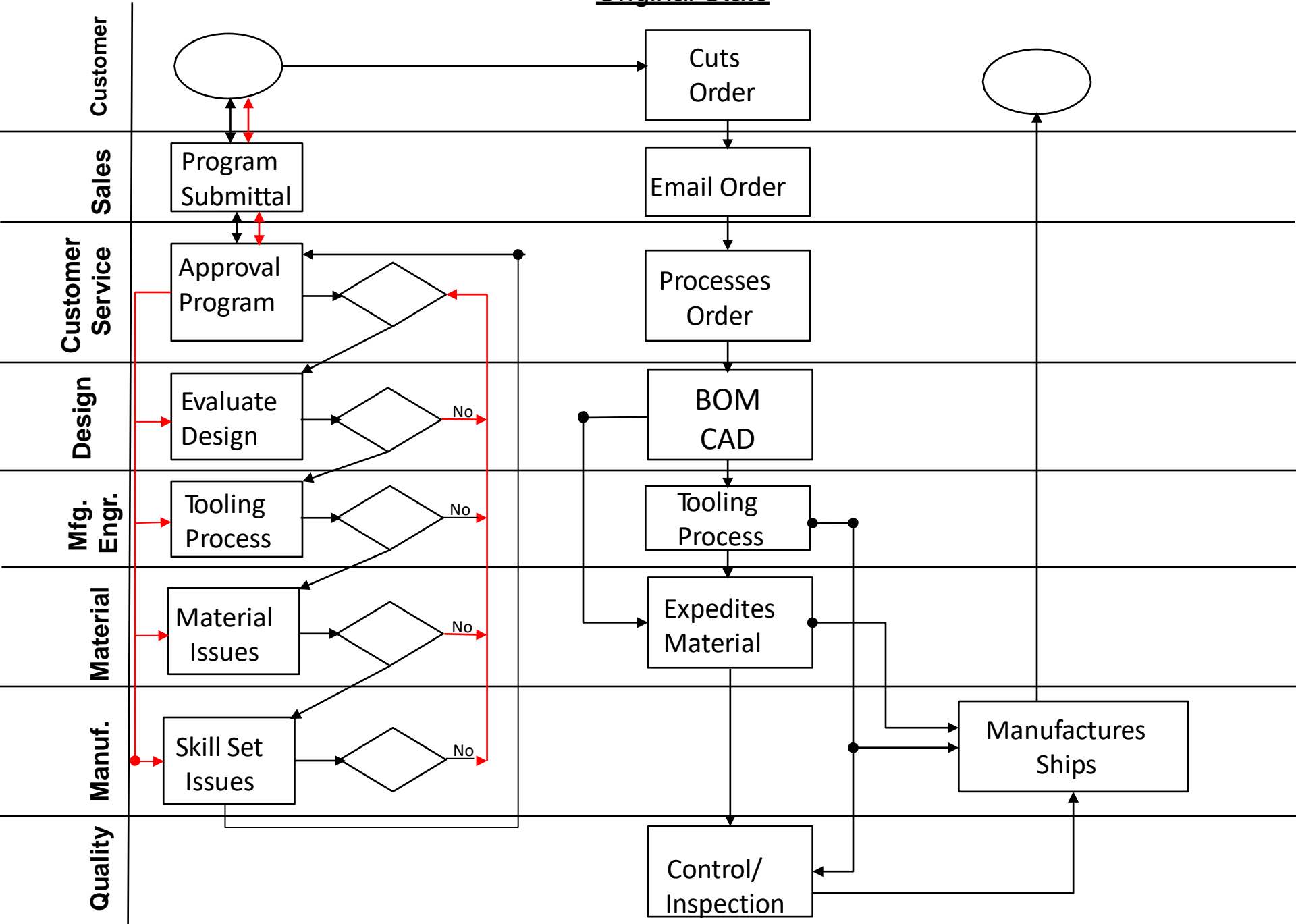


Rapid Product Launch

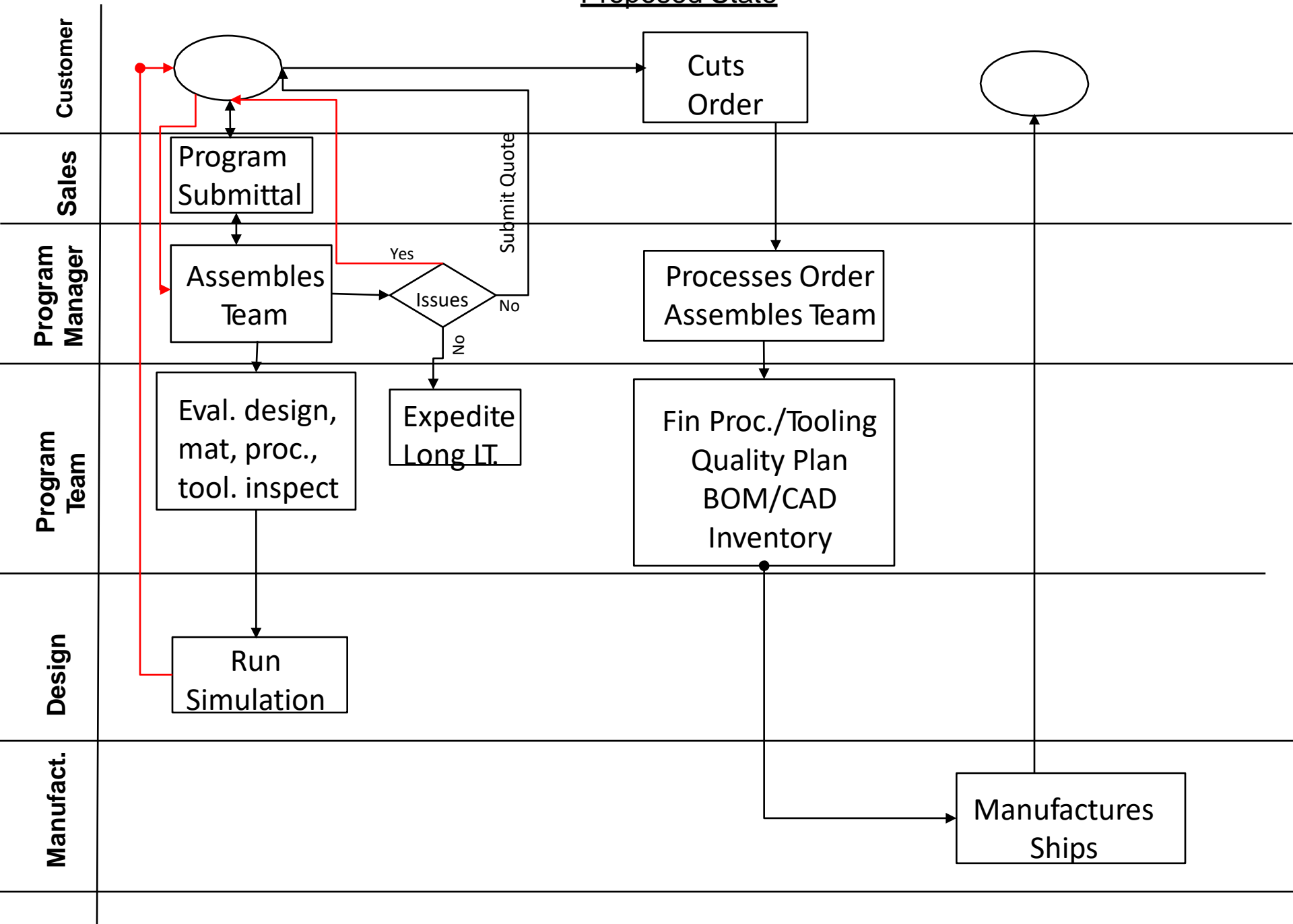
Background

- Specialized in low volume Small Form Factor assemblies, small components, micro BGA, pinning, connectors and sockets
- Urgent response required by customers
- Losing 60% of our business due to commit dates
- We set a goal of 20 days from first contact of customer to delivery
- Redesign complete process

Original State



Proposed State



Results

- Old Process
 - Quoting – 5-10 days
 - Manufacturing Preparation – 10 - 15 days
 - Manufacture and Ship- 5 days
- New Process
 - Quoting – 3 – 5 days
 - Manufacturing Preparation – 5-10 days
 - Manufacture and Ship - 5 days
- Land rate improved to 70%